

# PRODUCT INNOVATIONS

## Durometers Series 811 Digital/Analog



811-331  
811-333



811-332  
811-334



811-335  
811-337



811-336  
811-338



### Features

- Durometers are suitable for testing natural rubber, neoprene, polyesters, P.V.C., leather, thiokol, nitril, rubber, wax, vinyl, cellulose acetates, glass, polystyrol, and other materials.
- Mitutoyo's Durometers are manufactured in accordance with ASTM D 2240, ISO 868, ISO 7619, DIN 53 505, JIS K 6253, and JIS K 7215 specifications.
- Units are available in both Shore A and Shore D scales, and will test a wide variety of applications.
- The analog durometer is provided with a peak retaining hand for error-free reading.
- The digital durometer is provided with data hold function, and permits the operator to make an error-free reading on the clear LCD screen. Data output function.

## Specifications

Order No.	811-331	811-332	811-333	811-334	811-335	811-336	811-337	811-338
Model	HH-331	HH-332	HH-333	HH-334	HH-335	HH-336	HH-337	HH-338
Scale	Shore A		Shore D		Shore A		Shore D	
Display	Analog	Digital	Analog	Digital	Analog	Digital	Analog	Digital
Graduation	1	0.5	1	0.5	1	0.5	1	0.5
Range	10-90		20-90		10-90		20-90	
Standards	JIS K 6253, JIS K 7215, ASTM D 2240 ISO 868, ISO 7619, DIN 53 505				JIS K 6253, JIS K 7215, ASTM D 2240 ISO 868, ISO 7619, DIN 53 505			
Location Area	.71" DIA. (18mm DIA.)				1.73 x .71" (44 x 18mm)			
Indenter	Blunt Taper		Sharp Point		Blunt Taper		Sharp Point	
Tip Angle	35° ± 0.25°		30° ± 1°		35° ± 0.25°		30° ± 1°	
Function	Peak-Retaining Hand	On/Zero Off Data/Hold SPC Output	Peak-Retaining Hand	On/Zero Off Data/Hold SPC Output	Peak-Retaining Hand	On/Zero Off Data/Hold SPC Output	Peak-Retaining Hand	On/Zero Off Data/Hold SPC Output
Dimension H x W x D	7.09 x 2.56 x 1.97" (195 x 60 x 30mm)				3.94 x 2.56 x 1.38" (150 x 60 x 30mm)			
Mass	.7 lbs. (320g)				.64 lbs. (290g)			

## Optional Accessories

- 19BAA180** Holding Bar  
**64AAA964** Calibration Set (Shore A Scale)  
 Test Block 30\* DURO (Blue)  
 Test Block 60\* DURO (Yellow)  
 Test Block 90\* DURO (Gray)  
 Mahogany Box  
 \* Values shown are nominal only  
 Test Block Size 2" x 2" x 1/4"
- 64AAA590** "D" Scale Test Block Set  
**64AAA962** "A" Scale Durometer Stand  
**64AAA794** "A" Scale Durometer Stand with Air Damper  
**64AAA796** Combination "D" & "A" Scale Durometer Stand  
**64AAA963** O-Ring Fixture Set  
 1/16", 3/32", 1/8", 3/16" and 1/4"  
 O-Ring cross sections  
**264-503AS2** Digimatic Miniprocessor  
**905693** Connecting Cable 40" (1m) for Durometer and Digimatic Miniprocessor



**64AAA964**

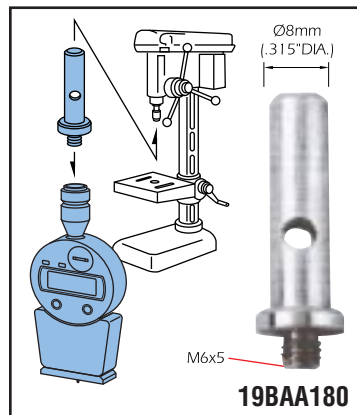


**64AAA963**



### Holding Bar

The holding bar is used to mount the Compact Type Durometer on a general drilling machine. This permits the operator to perform hardness measurement in a comfortable position.



**19BAA180**

Coordinate Measuring Machines	
Vision Measuring Systems	
Surface, Form and Contour Measurement	
Optical Measuring	
Sensor Systems	
Hardness Measuring	
Digital Scale and DRO Systems	
Small Tool Instruments and Data Management	

**Mitutoyo America Corporation**  
[www.mitutoyo.com](http://www.mitutoyo.com)

**Michigan** (734) 459-2810  
**Massachusetts** (978) 692-8765  
**Illinois** (630) 978-5385  
**Indiana** (317) 577-6070  
**California** (626) 961-9661  
**No. Carolina** (704) 875-8332

Note: All information regarding our products, and in particular the illustrations, drawings, dimensional and performance data contained in this pamphlet, as well as other technical data are to be regarded as approximate average values. We therefore reserve the right to make illustrations of the responding designs, dimensions and weights. The stated standards, similar technical regulations, descriptions and illustrations of the products were valid at the time of printing. In addition, the latest applicable version of our General Trading Conditions will apply. Only quotations submitted by ourselves may be regarded as definitive.

**Mitutoyo**  
 Precision is our Profession